

INSTRUCTION SHEET

414634/414634CAN

MODERNE MUSE SIDE CHAIR

Thank you for purchasing this quality product. Be sure to check all packing material carefully for small parts that may have come loose inside the carton during shipment.

Caution: (1) These parts are cumbersome and heavy. This product can best be assembled with the assistance of one or more persons in order to prevent personal injury and to insure parts are not damaged during the assembly process. If dirty, clean finished parts with mild dishwashing liquid and water solution applied on damp cloth. Cloth should not be excessively wet. Polish finish with soft cloth and an industry recognized furniture polish.

(2) To prevent damage to your floor or carpet, please check the bottom of each piece of furniture for stain residue and rough surfaces and also check for staples or nails left after removing the packaging material. The manufacturer will not be held responsible if preventative steps are not taken prior to installation.

(3) Unpack and dispose of all packing material but be careful not to throw away any assembly parts or hardware. Read the instruction sheet and parts list carefully. Remove all staples and screws used for packaging carefully using pliers and or screwdrivers to prevent injury and scratching or damaging flooring.

(4) During normal use everyday, screws, bolts, nuts and wooden plugs may loosen up. They should be periodically inspected and re-tightened to prevent damage to the furniture and (or) personal property or cause injury. Always check to be sure all hardware on this list and the above mentioned components is attached to the furniture properly and kept tightened at all times.

PARTS LIST:

#	Description	Qty.	#	Description	Qty.
A	Chair Back	1 pc	B	Seat Frame	1 pc
C	Front Leg	1 pc			

Assembly Procedure:

CAUTION: PLEASE DO NOT OVER-TIGHTEN BOLTS DURING ASSEMBLY.

NOTE: FIRST READ THE CHAIR LEVELING INSTRUCTIONS. THIS IS AN ADDITIONAL ASSEMBLY INSTRUCTION SHEET FOUND INSIDE THE CARTON.

Step 1: Place all chair parts on a soft and smooth surface.

Step 2: Take off plastic cover on upholstery seat. Assemble **Chair Back (A)** to back rail of **Seat Frame (B)** using Bolt (2), Spring Washer and Flat Washer. Then, attach rear corner blocks of **Seat Frame (B)** with back post using Bolt (1), Spring Washer and Flat Washer. Tighten with Wrench (4).

Step 3: Assemble front corner blocks of **Seat Frame (B)** with **Left Leg (C)** and **Right Leg (D)** using Bolt (3), Spring Washer and Flat Washer. Tighten with Wrench (4). Do not over tighten.

Step 4: After making sure all bolts are attached and hand tightened, turn the chair over.

Step 5: Level the chair following "Chair Leveling Instruction". This is an additional assembly instruction sheet found inside the carton.





Step 6: Make sure the chair is level and tighten all bolts completely using the wrench supplied.

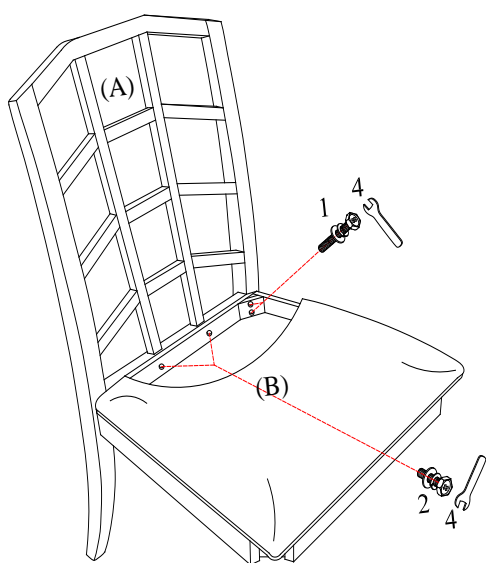
Assembly is now complete.

INSTRUCTION SHEET

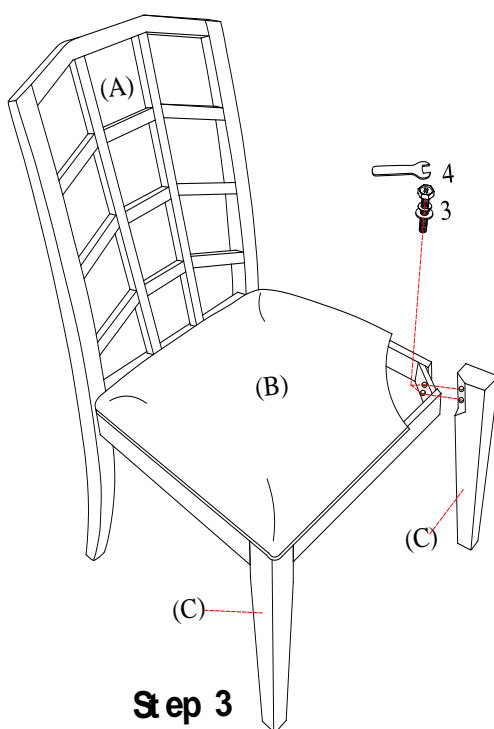
414634/414634CAN

MODERNE MUSE SIDE CHAIR

	NO	Hardware List			Qty.
For Side Chair	1		3" L	Bolt+Spring Washer+Flat Washer--1/4" Dia	4pcs
	2		1-3/4" L	Bolt+Spring Washer+Flat Washer--1/4" Dia	2pcs
	3		2-1/2" L	Bolt+Spring Washer+Flat Washer--1/4" Dia	4pcs
	4			Wrench	1pc



Step 2



Step 3

